

Version	2.0	Date	4/5/18
Prepared By	JC		

PRODUCT SPECIFICATION

Category	Linear High Bay
Item Number	7409
Stock Code	LED-FXHBL100/22FR/850
Mounting	Chain / Yoke Mount
Housing Color	White



ELECTRICAL CHARACTERISTICS			
Rated Wattage (W)	100	Replacement Wattage (W)	400
Tested Wattage (W)	100		
Input Voltage (V)	120-277V	Surge Protect Level	-
Voltage Frequency (Hz)	50/60	Dimmable	1-10V
Input Current (A)	0.99	AUX (12V) Line	-
Power Factor	>0.9		
THD	<20%		

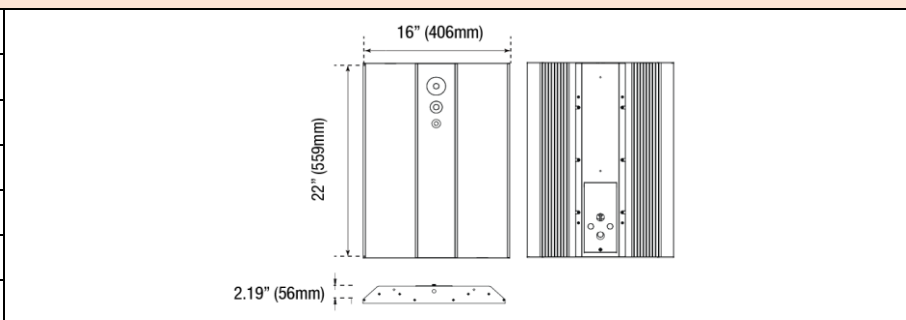
PHOTOMETRIC CHARACTERISTICS			
Lumen (lm)	13,430	CCT (K)	5000K
Efficacy (lm/w)	134	Beam Angle (°)	110°
CRI	>80		

GENERAL CHARACTERISTICS	
Operating Temperature (°F)	-40°F ~ 122°
Storage Temperature (°F)	-40°F ~ 122°
IP Rating	Damp Location
IK Rating	-
Rated Life (Hrs)	50,000
Warranty (Yrs)	5

ACCESSORIES		
Item #	Stock Code	Description
7334	BAEM15-48BC/MV-A	15W Emergency Driver

PRODUCT DIMENSIONS

Width- in / (mm)	22" / 559
Height- in / (mm)	16" / 405
Depth- in / (mm)	2.19" / 56
IK Rating	-
Weight (lbs)	6.61
Mounting Height (ft)	-
Cable Length (ft)	-



CERTIFICATIONS			
UL/ETL	ETL/cETL	CEC	
NSF/ETL Sanitation		JA8	
Energy Star		FCC	✓
DLC		RoHs	✓

DOCUMENTS			
LM79	✓	IES File	✓
LM80	✓	Dimmer List	

COMMENTS

--